

DROWNINGS IN THE U.K. 1985

BY LOCATIONS

TOTAL 599

RIVERS, STREAMS, ETC.
202 (34%)

COASTAL
164 (27%)

OTHERS 5 (1%)
GARDEN PONDS 8 (1%)
SWIMMING POOLS 18 (3%)

LAKES,
RESERVOIRS,
ETC.
91 (15%)

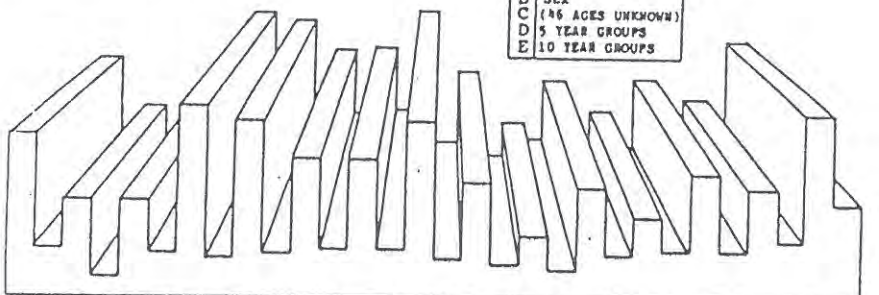
HOME BATHS 22 (4%)

CANALS 56 (9%)
DOCKS, HARBOURS, 33 (6%)

BY AGE, GROUPS AND SEX

MALES 443 (74%)
FEMALES 156 (26%)

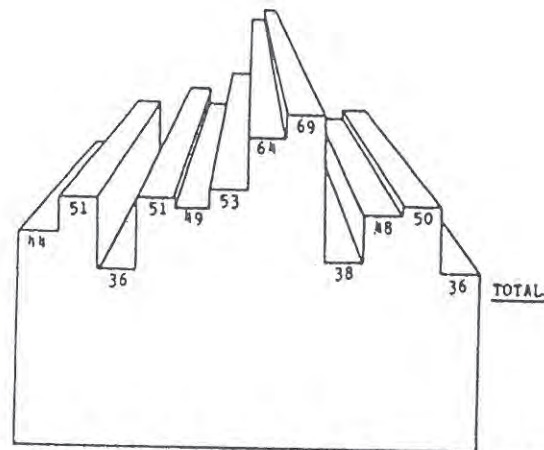
KEY
A AGE
B SEX
C (46 AGES UNKNOWN)
D 5 YEAR GROUPS
E 10 YEAR GROUPS



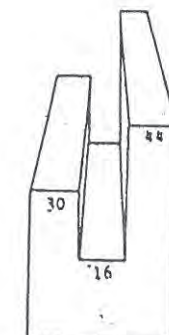
| | | | | | | | | | | | | | | |
|-----|-----|-------|-------|-------|-------|-------|-------|-------|-------|-------|-------|-------|-------|-----|
| 0-4 | 5-9 | 10-14 | 15-19 | 20-24 | 25-29 | 30-34 | 35-39 | 40-44 | 45-49 | 50-54 | 55-59 | 60-64 | 65-69 | 70+ |
| M | F | M | F | M | F | M | F | M | F | M | F | M | F | M |
| 14 | 10 | 20 | 4 | 20 | 9 | 40 | 8 | 37 | 9 | 29 | 10 | 29 | 10 | 17 |
| 44 | 24 | 29 | 48 | 46 | 39 | 39 | 45 | 31 | 19 | 32 | 17 | 10 | 21 | 12 |
| 44 | 51 | 94 | 46 | 78 | 76 | 51 | 63 | 94 | | | | | | |

BY MONTHLY TOTALS AND COUNTRIES

DROWNINGS IN SCOTLAND BY LOCATION



| | | | | | | | | | | | | | |
|-----|----|----|-----|----|----|-----|----|----|-----|----|----|------------------|-----|
| 33 | 39 | 31 | 46 | 35 | 39 | 44 | 58 | 32 | 42 | 42 | 27 | ENGLAND | 468 |
| 0 | 0 | 0 | 0 | 1 | 0 | 2 | 0 | 0 | 0 | 0 | 0 | C. ISLANDS | 3 |
| 2 | 1 | 0 | 1 | 0 | 1 | 2 | 1 | 0 | 0 | 0 | 1 | N. IRELAND | 9 |
| 7 | 1 | 2 | 1 | 3 | 3 | 10 | 2 | 1 | 1 | 2 | 0 | WALES | 29 |
| 6 | 10 | 3 | 13 | 10 | 10 | 6 | 8 | 5 | 5 | 6 | 8 | SCOTLAND | 90 |
| J | F | M | A | M | J | J | A | S | O | N | D | QUARTERLY TOTALS | |
| 131 | | | 153 | | | 171 | | | 134 | | | | |



| | |
|---|---|
| C | I |
| O | |
| A | D |
| S | O |
| T | C |
| A | K |
| L | S |

TOTAL DROWNINGS 90

BY ACTIVITIES/ BEHAVIOUR

MALES 15-35 PROVIDED ALMOST
1/4 (23%) OF ALL DROWNINGS.

ANGLING - (PROP) 17
- FROM LAND 7 TOTAL 66
- FROM BOAT 42

SWIMMING 43 PADDLING 6
INVEHICLE 39 CANOEING 5
BOATING 28 ICE SKATING 5
PLAYING 27 INFLATABLES 5
WALKING 20
ATTEMPTING RSCE. 10
SUB AQUA 9
FELL IN 9

RIVERS WITH MOST DROWNINGS

THAMES 37 YEAR 4
SEVERN 10 CLYDE 4
AVON 6 DON (SCO) 3
LEA 4 HEADWAY 3
TRENT 4 STOUR (DORSET) 3
TYNE 4 PLYM 3

DROWNINGS IN SWIMMING POOLS

PUBLIC 9
HOME 6
PRIVATE 3
(HOTELS,
HOLIDAY CAMPS
ETC.).